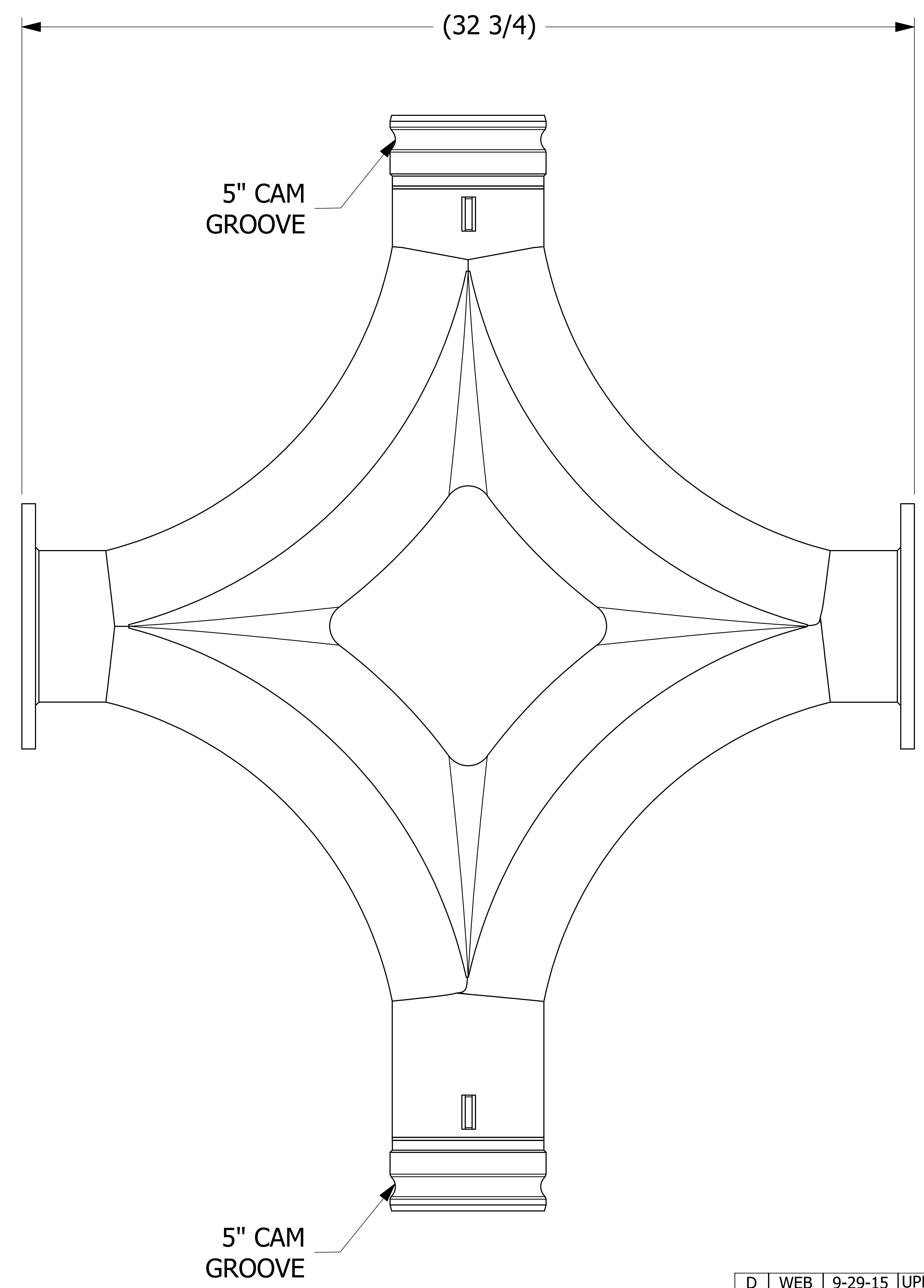
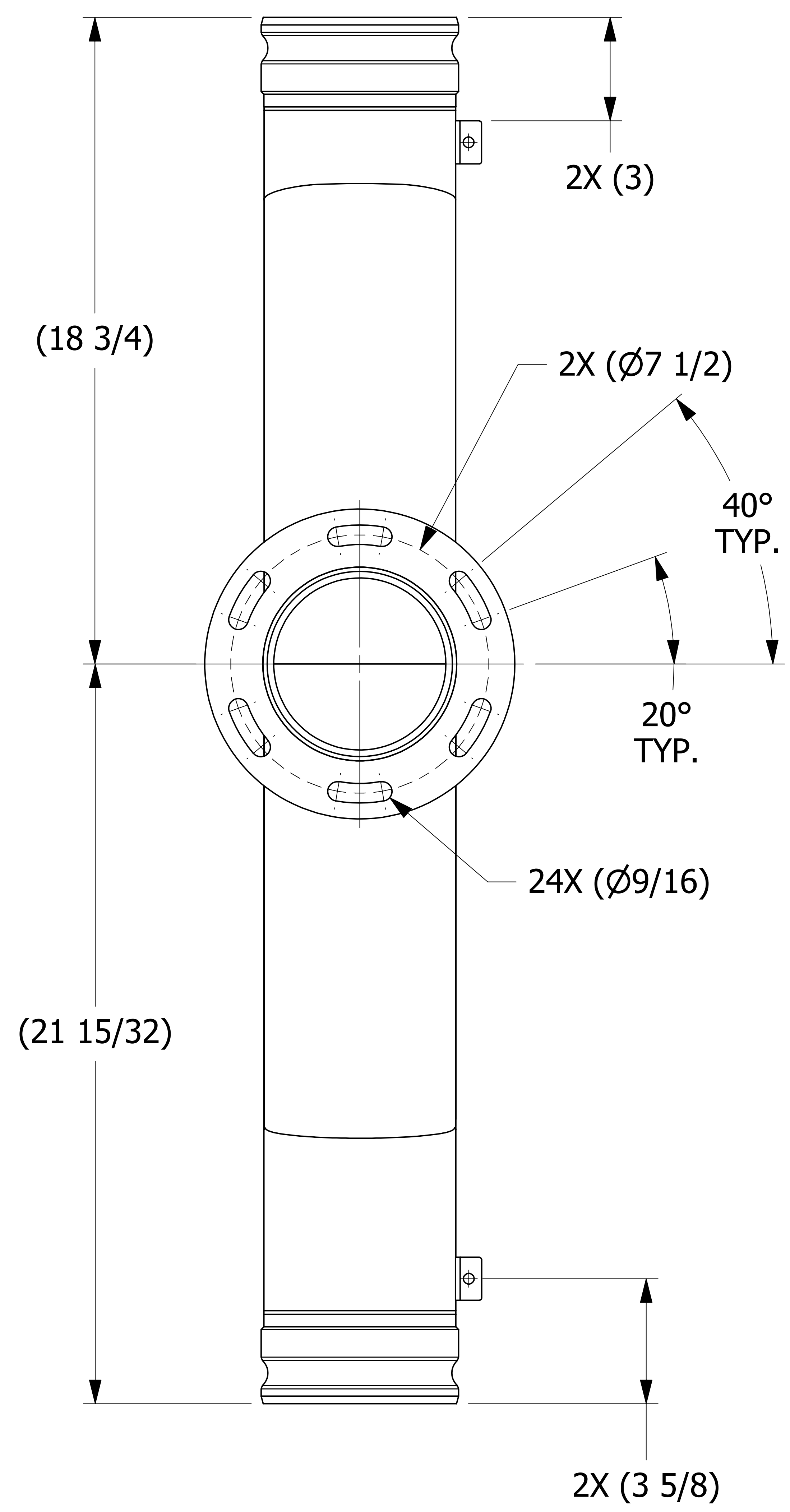


SALES DRAWING

SALES DRAWING



REV	BY	DATE	DESCRIPTION
D	WEB	9-29-15	UPDATED TO INVENTOR REPLACED A17291 W/ A30116
C	REH	12-3-10	REVISED NOTE
B	PJG	7-25-07	REVISED NOTE
A	ACC	1-30-04	ADDED PART INTO THE SYSTEM

<small>UNLESS OTHERWISE SPECIFIED DIMENSIONAL TOLERANCES FRACTIONAL: ±1/16 X.XX: ±.03 X.XXX: ±.015 ANGULAR: ±1° DEBURR ALL SHARP EDGES. ALL MACHINED SURFACES TO HAVE A 125 RMS FINISH UNLESS NOTED OTHERWISE. THIRD ANGLE PROJECTION</small>	DRAWN BY:	ACC
	CHECKED BY:	
	PROTOTYPE BY:	ACC
	PROTOTYPE DATE:	3/14/2003
	APPROVED FOR PRODUCTION BY:	ACC
	PRODUCTION DATE:	1/30/2004

SALCO PRODUCTS, INC.		
PART NAME: DOUBLE Y-PIPE 5"		
MATERIAL: ALUMINUM		
PROJECT #:	SHEET #:	SCALE:
	1 OF 1	2:3
DRAWING #:	PART #:	
E17812	PD5ACR04	

THIS PRINT, PROPERTY OF SALCO PRODUCTS INC. CONTAINS PROPRIETARY INFORMATION AND MUST NOT BE COPIED, REPRODUCED, OR USED DETRIMENTALLY TO OUR INTEREST.